



## TrafficCamera

### B8M40-110F30V2

TrafficCamera is an outdoor bullet camera with on-board video analytic engine FLOW. It is an all-in-one edge solution enabling every feature of a distributed video-analytics environment for smart traffic, parking, retail or security. Thanks to the local processing it is 100% GDPR compliant and has small bandwidth requirements.

The TrafficCamera is affordable, easy to set up and a highly reliable multipurpose sensor supporting event based alerts and triggers. Thanks to the open API and web-hooks it can be easily integrated with 3rd party smart city systems and data platforms. Connection and power are achieved with POE, and the camera is equipped with IR with a max distance of 30 meters for better low light vision and a fully motorized zoom allowing easy adjustment of the field of view from 40° to 110°. The camera also has automatic updates and can be configured remotely. Discover the next generation of actionable video intelligence packed into a single extremely versatile product - the TrafficCamera; your plug and play sixth traffic sense.

### Applications

TrafficCamera is an ideal choice for monitoring smaller areas or not so complex scenes such as two-lane roads, tunnels, pedestrian paths, entries or exits etc. Thanks to an onboard fully featured video analytic engine capable of processing and evaluating the extracted traffic data in a fully customizable way, it can send real-time alerts or directly control other connected devices including signs or gates. All statistics could be visualized on a camera dashboard. It is a fully functional stand-alone traffic monitoring solution without the need of a server-side part of its operation.

#### Traffic violations detection

- Wrong-way driving
- Illegal lane change
- Blocking vehicle detection

#### Safety & security

- Object presence alert
- Suspicious behaviour detection

#### Parking

- Occupancy
- Parking time
- Wrong parking

#### Traffic flow improvement

- Congestion detection
- Level of service measurement
- Traffic statistics

#### Retail

- Queue detection
- Heatmaps, stationary time
- Measuring of attractiveness

#### General

- Behavioural analysis
- Counting / statistics
- Occupancy / presence data

## Powered by FLOW, the most powerful traffic framework

FLOW is a fully interactive video analytical traffic framework designed for real-time driven applications. It is the fastest and the most efficient way to transform any video stream into a stream of actionable insights. The first tool ever which visualizes traffic data live right at your fingertips and communicates with the other parts of your smart infrastructure using open APIs. FLOW is built for all imaginable traffic scenarios thanks to the powerful combination of unique visual traffic programming language, trajectory-driven design and AI-based image processing. Take the advantage of the one unified solution for smart traffic, parking, retail and security, which runs everywhere.

### Video detection features

FLOW is powered by a proprietary developed and globally trusted video analytical engine utilizing deep-learning. This engine is capable of detecting and tracking hundreds of objects in multi-camera environments simultaneously.

### Interactive data visualization

FLOW allows you to visualize the extracted information and analyses using interactive widgets on the customizable dashboards. Create a beautiful live visualization of the current traffic situation composed from the histograms, heat-maps, trajectory views, graphs and other graphical elements.

### Traffic analysis functions

FLOW supports various traffic analytic functions and operators that can be combined into a comprehensive traffic analysis running in real-time. Thanks to the unique visual traffic programming language, you become the designer of a monitoring solution tailored to your specific needs.

### Data interfaces

FLOW was born for integration with other parts of smart infrastructure. Any type of extracted traffic insights can be continuously delivered to 3rd party systems using an open API which supports multiple communication protocols including UDP and REST.

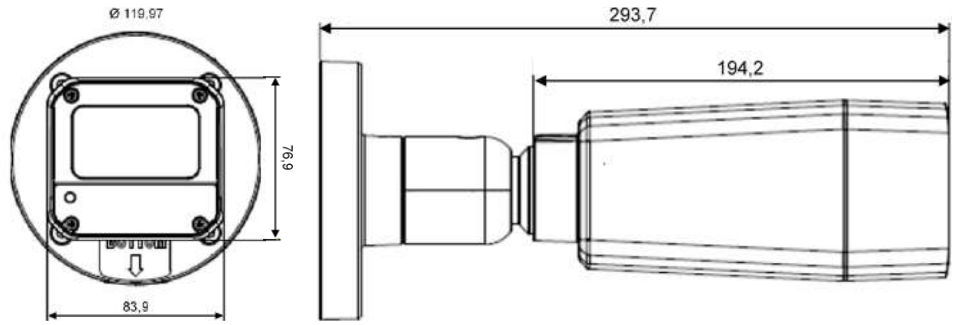


## Model

TrafficCamera – B8M40-110F30V2

## Description

On-Board processing TrafficCamera  
8MP H.265  
Progressive scan, HDR  
Vandal-Proof IP66, IP67, IK10



## Camera – general

Vision processing unit	Intel® Movidius™ MA2485 VPU
RAM Memory	4Gb
Power Supply	PoE (IEEE 802.3at)/DC 12V/AC 24V
Image Sensor	1/1.8" progressive scan
Picture Elements	3840 (H) × 2160 (V) 8MP
Minimum Illumination	0.09 Lux @F1.5 (Color), 0.03 Lux @F1.5 (B/W), 0 Lux (IR ON)
HDR/WDR	HDR
Regulatory	CE, FCC class A
Dimensions	84mm × 77mm × 293.7mm
Weight	~1.6kg
Micro SD	Supporting 1× Micro-SD, SD/SDHC /SDXC UHS-I, 32GB to 256GB, class 10
LED Indicator	3 LEDs: Power, Status, Ethernet

## Lens

Day/Night	Yes (with removable IR-cut filter)
Lens Type	Motorized
Focal Length	4.46 ~ 11mm±5%
Auto-iris	f/1.5 ~ f/4.3±10%
Horizontal FOV	40.03°~110.9°±5%
Image Format	16:9
Max. IR Distance (Radius)	30m (98.42ft)

## Video capture parameters

Video Compression	H.265, H.264, MJPEG
Frame Rate	Up to 30 fps at 3840 × 2160
Audio Compression	G.711

## Network and connectivity

Interface	10/100 Ethernet
Protocols	TCP, UDP, DHCP, DDNS, HTTP, HTTPS, NTP, RTSP
Ethernet	RJ-45
Audio	Line in/Line out
Digital I/O	1 Input (Dry Contact), 2 Digital Output (Wet Contact)

## Storage, startup and operating conditions

Storage temp.	-30 °C ~ 60 °C (-22 °F ~ 140°F)
Storage humidity	10% ~ 90% (no condensation)
Startup temp.	0 °C ~ 60 °C (32°F~ 140 °F)
Operating temp. (IR off)	-10 °C ~ 60 °C (-14 °F~ 140 °F)
Operating temp. (IR on)	-20 °C~ 40 °C (-4 °F ~ 104 °F)
Operating humidity	20% to 55%

## Video analysis functions

- Detection and tracking of objects
- Category classification into 7 object types
- Detection scale of 320×544 pixels
- Minimum object size required for detection - 32×32 pixels in detection scale

## Traffic analytics & visualization functions

- Fully programmable trajectory processing and evaluation thanks to the FLOW framework.
- Speed and stationary time measurement
- Customizable OpenAPI - REST/UDP/JSON format
- Customizable dashboards with interactive widgets
- Available apps: FLOW Traffic, FLOW Parking, FLOW Retail, FLOW Security

All specifications are subject to change without notice.

Smartek ITS, Inc | 334 East Lake Rd #125, Palm Harbor, FL 34685



RoadSys.com



sales@roadsys.com



480-289-0081